

Model: D4DL-150 X

Data

Type: Semi-hermetic piston compressors

Producer: Copeland

Series: DISCUS

Model: D4DL-150 X

Technical data

Cylinder count:	4
Displacement [m ³ /h]:	70,8
Weight [kg]:	221
Oil charge [dm ³]:	3,6
Max. operating current [A]:	28,5
Locked rotor current [A]:	140
Power supply [V/~/Hz]:	380-420V/3/50Hz

Connections

	<u>milimeters</u>	<u>inches</u>
Suction line:		1 5/8"
Discharge line:		1 1/8"

Model: D4DL-150 X

Capacity

R404A/R507

Cooling capacity [kW]

$t_c \setminus t_e$	-50	-45	-40	-35	-30	-25	-20	-15	-10
20	8.13	11.06	14.66	19.01	24.21	30.35	37.53	45.82	55.33
25	7.30	10.07	13.45	17.53	22.41	28.16	34.89	42.69	51.64
30	6.46	9.08	12.25	16.06	20.61	25.98	32.27	39.57	47.97
35	5.61	8.08	11.05	14.60	18.82	23.82	29.67	36.47	44.32
40	-	7.10	9.85	13.14	17.05	21.66	27.08	33.39	-
45	-	6.11	8.67	11.70	15.29	19.53	24.51	30.33	-
50	-	-	7.50	10.27	13.54	17.41	21.97	-	-
55	-	-	6.34	8.86	11.82	15.32	19.45	-	-

Power input [kW]

$t_c \setminus t_e$	-50	-45	-40	-35	-30	-25	-20	-15	-10
20	5.01	5.97	6.95	7.94	8.91	9.84	10.72	11.52	12.22
25	5.05	6.07	7.14	8.23	9.33	10.40	11.43	12.39	13.28
30	5.05	6.14	7.29	8.48	9.69	10.89	12.06	13.19	14.25
35	5.02	6.18	7.41	8.69	10.00	11.32	12.64	13.92	15.15
40	-	6.18	7.48	8.85	10.26	11.70	13.15	14.58	-
45	-	6.17	7.53	8.98	10.49	12.04	13.61	15.19	-
50	-	-	7.55	9.07	10.67	12.33	14.03	-	-
55	-	-	7.56	9.15	10.83	12.59	14.40	-	-

Model: D4DL-150 X

Capacity

Current [A]

$t_c \setminus t_e$	-50	-45	-40	-35	-30	-25	-20	-15	-10
20	13.19	14.37	15.62	16.92	18.22	19.50	20.72	21.85	22.85
25	13.24	14.50	15.86	17.30	18.79	20.28	21.74	23.15	24.46
30	13.26	14.59	16.07	17.64	19.30	20.99	22.69	24.37	25.99
35	13.26	14.65	16.22	17.93	19.75	21.64	23.57	25.50	27.42
40	-	14.67	16.33	18.16	20.13	22.21	24.36	26.55	-
45	-	14.64	16.38	18.33	20.45	22.71	25.07	27.51	-
50	-	-	16.38	18.43	20.69	23.12	25.70	-	-
55	-	-	16.32	18.47	20.86	23.46	26.23	-	-

Mass flow [kg/s]

$t_c \setminus t_e$	-50	-45	-40	-35	-30	-25	-20	-15	-10
20	169.54	238.84	320.63	418.06	534.29	672.47	835.76	1 027.32	1 250.30
25	161.14	228.75	308.73	404.21	518.37	654.35	815.31	1 004.41	1 224.81
30	151.67	217.62	295.80	389.36	501.47	635.27	793.92	980.58	1 198.41
35	141.22	205.53	281.94	373.60	483.67	615.31	771.68	955.93	1 171.21
40	-	192.57	267.23	357.01	465.08	594.58	748.68	930.53	-
45	-	178.84	251.77	339.69	445.77	573.16	725.01	904.49	-
50	-	-	235.65	321.73	425.84	551.13	700.76	-	-
55	-	-	218.95	303.22	405.39	528.60	676.03	-	-

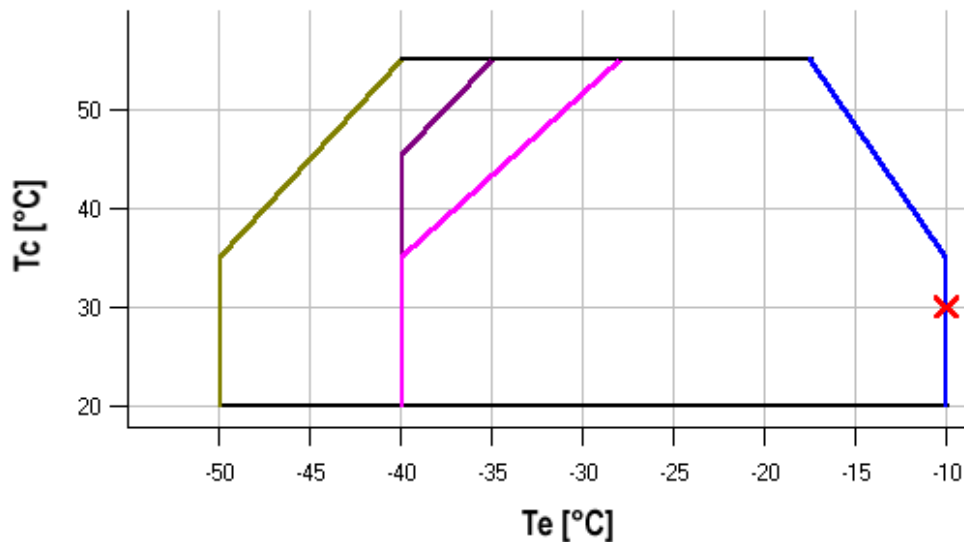
Model: D4DL-150 X





Capacity

C.O.P. [W/W]

$t_c \setminus t_e$	-50	-45	-40	-35	-30	-25	-20	-15	-10
20	1.62	1.85	2.11	2.40	2.72	3.08	3.50	3.98	4.53
25	1.45	1.66	1.88	2.13	2.40	2.71	3.05	3.44	3.89
30	1.28	1.48	1.68	1.89	2.13	2.39	2.68	3.00	3.37
35	1.12	1.31	1.49	1.68	1.88	2.10	2.35	2.62	2.93
40	-	1.15	1.32	1.48	1.66	1.85	2.06	2.29	-
45	-	0.99	1.15	1.30	1.46	1.62	1.80	2.00	-
50	-	-	0.99	1.13	1.27	1.41	1.57	-	-
55	-	-	0.84	0.97	1.09	1.22	1.35	-	-

Application range



-  Maximum evaporating temperature
-  25°C suction gas return
-  0°C suction gas return + additional cooling
-  0°C suction gas return

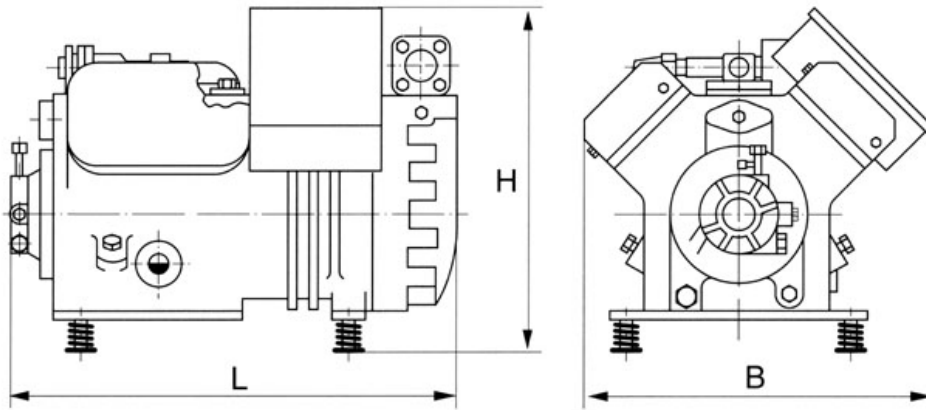
Operating conditions: ISO; subcooling: 0 K, suction superheat: - K, return gas temperature: 20

t_c - Condensing temperature [°C]

t_e - Evaporating temperature [°C]

Model: D4DL-150 X

Dimensions



L	680 mm
B	535 mm
H	605 mm

Model: D4DL-150 X

Image

